

MOBILE EV CHARGING CART

Polara

Dolly-style tilt for quick and effortless mobility. Designed to provide safe on-the-go electric vehicle charging for:

- Fleets
- Municipalities
- Dealerships
- Anywhere EV charging is required

HANDLEBAR

Designed for easy mobility between locations

REAR HOOKS

Ideal for utility connection cable storage

CART WHEELS

Swivel casters

Equipped with double ball bearings to ensure fluid swiveling and effortless navigation around corners

Front caster wheels

Includes a wheel brake, that engages instantly when the foot pedal is pressed

Back wheel

- 8-inch diameter rubberized
- Ideal for any terrain!

CHARGING MOUNTING

Ample space

Accepts any AC charger and compatible with some wall-mountable DC chargers (ex. ABB Terra DC)

Aluminium construction

Allows for quick, hassle-free drilling to mount an EV charger (charger feed required)



DESIGNED FOR DURABILITY



Aluminum construction

Built for long-lasting performance with a sturdy, corrosion-resistant frame that handles heavy loads with ease

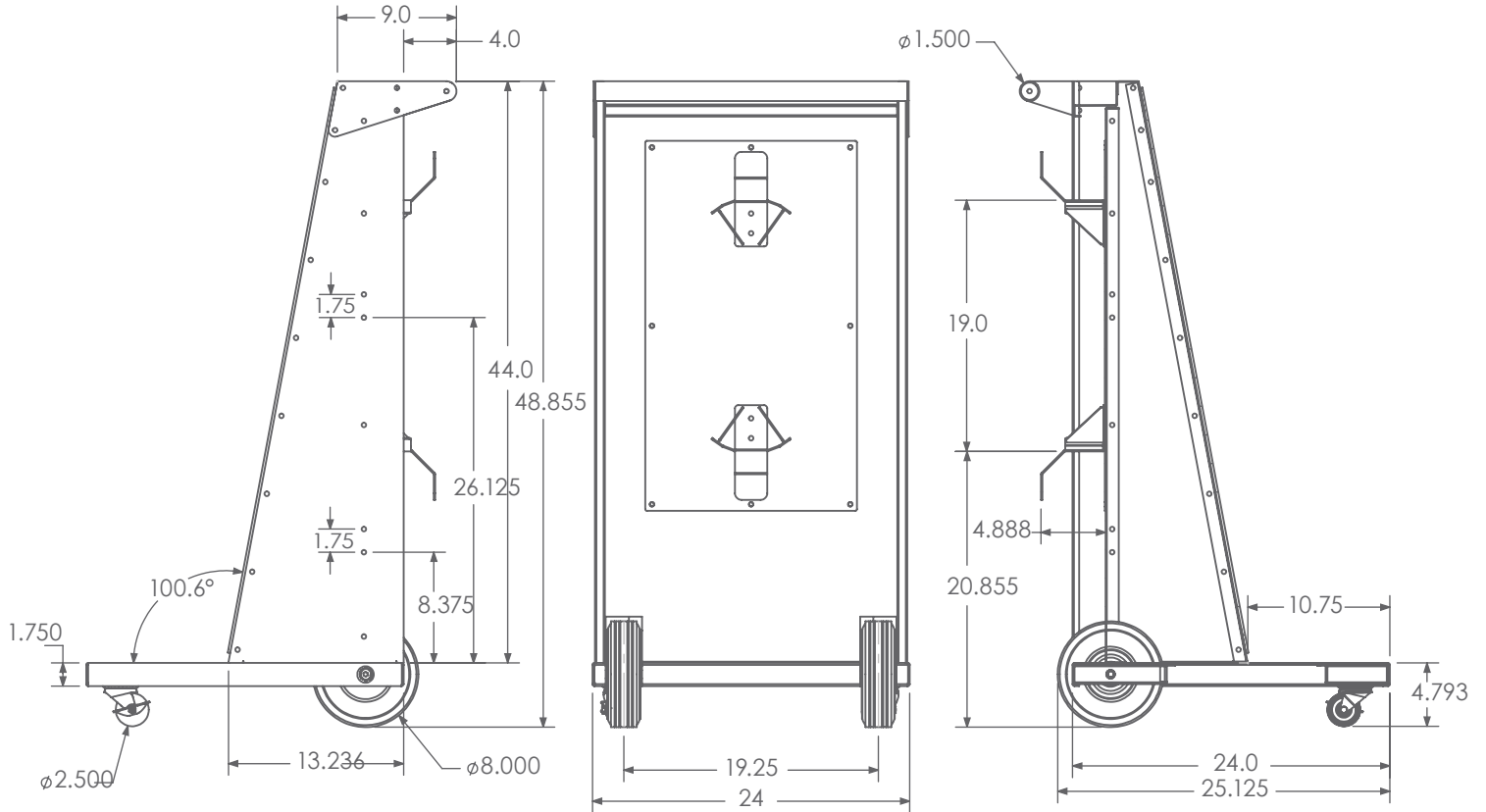


Powder-coated surface

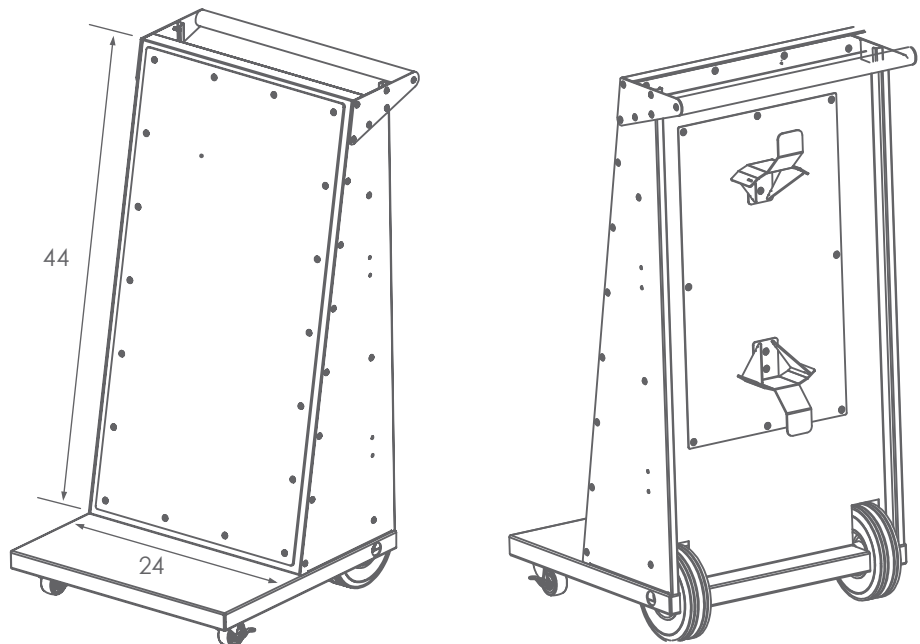
Offers a combination of corrosion, chemical, and UV resistance, ensuring long-term durability in industrial and harsh operating conditions

MOBILE EV CHARGING CART DIMENSIONS (Inches)

Weight: 109 lbs



ISOMETRIC VIEW



Polara Canada

1111, St-Charles O., Suite 1155
Longueuil, QC, J4K 5G4

450-231-6927

info@polara.energy

polara.energy